

BTM is an associate company of Akay Industries Pvt Ltd

chemflo[®]



chemflo[®]



BTM PROCESS CONTROLS PVT LTD.

Address: Plot No 162/A&162/B Gamanagatti Industrial Estate
Hubballi Karnataka 580024 | Tel: +91 (0) 836-2486001/02

Email: business@btmprocesscontrols.com

Web: www.btmprocesscontrols.com



TYPE AKP
API 610 PROCESS PUMPS

AKP FEATURES

① DUAL VOLUTE CASING

Discharge nozzle 3" & larger has double volute reduces shaft deflection and increases bearing life

② HYDRAULICALLY & MECHANICALLY BALANCED IMPELLER

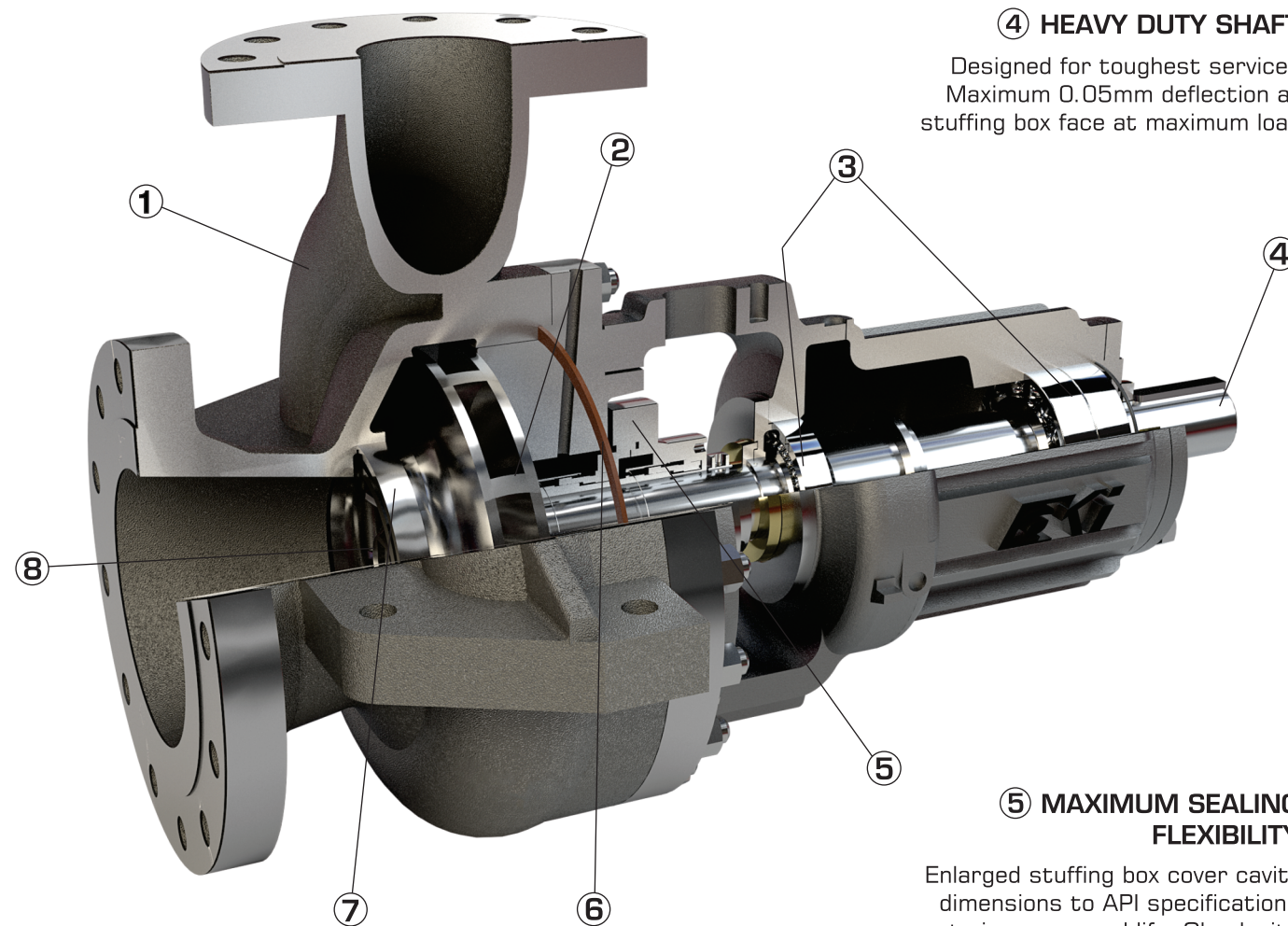
Axial thrust balance achieved by front & back wearing rings with balancing hole for operation over wide range of suction pressure

③ BEARING

Bearing life exceeds API requirements
Triplex bearings optional for high suction pressure.

④ HEAVY DUTY SHAFT

Designed for toughest services
Maximum 0.05mm deflection at stuffing box face at maximum load



⑤ MAXIMUM SEALING FLEXIBILITY

Enlarged stuffing box cover cavity dimensions to API specifications to increase seal life. Gland with registered fit and confined controlled compression gasket

⑧ IMPELLER FASTENING

Impeller keyed and bolted with tongue type lock washer to API 610

⑦ RENEWABLE WEARING RING ON FRONT AND BACK

Positively locked and running clearances to API

API DESIGN CONCEPT

Designed to back pullout. Centerline mounting
Stiffness criteria to API

⑥ SEALING RELIABILITY

Confined controlled compression gasket with metal to metal joint

AKP

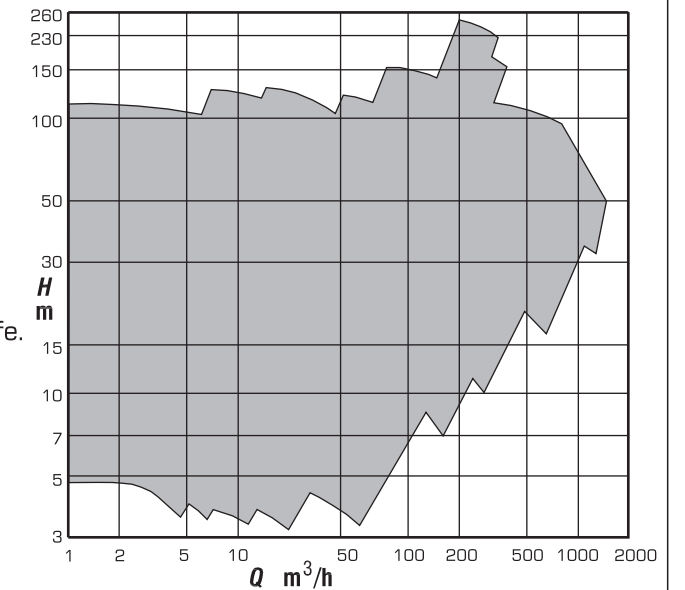
RANGE

- Capacity to 1400 m³/h
- Temperature to 425°C
- Head to 250 m
- Pressure to 5000 kPa

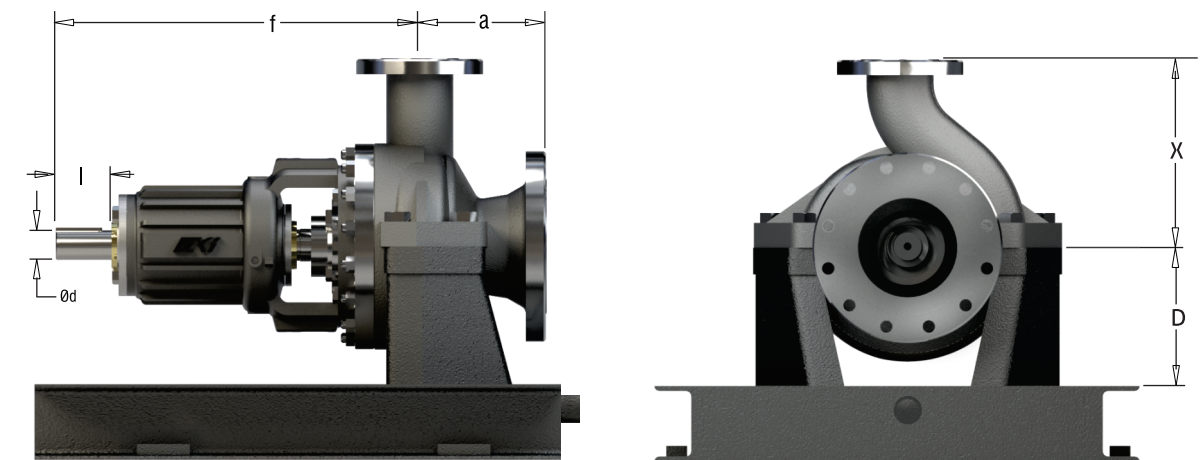
FEATURES

- Centerline support - high temperature stability meets API 610 nozzle loading & stiffness criteria.
- Pressure joints metal to metal face with confined, controlled gasket.
- 3 inch discharge nozzle and larger has double volute construction minimizes radial thrust and more bearing life.
- Outboard bearing: standard duplex angular contact. Triplex bearing design available for high suction pressure applications.
- Seal chamber to API 610 and accommodate all types of sealing arrangement of chemflo mechanical seal.
- Heavy duty shaft and bearings engineered to give very low deflection.

HYDRAULIC COVERAGE



AKP DIMENSIONS-



GROUP	MODELS	D	X	a	f
AKP - S	1 1/2 x 1 - 7A	280	240	150	560
	1 1/2 x 1 - 7B	280	240	150	560
	3 x 1 1/2 - 7	280	240	150	560
	3 x 2 - 7	280	240	170	563
	4 X 3 - 7	280	240	190	570
	2 X 1 - 9A & B	280	240	150	560
	3 x 1 1/2 - 9	280	240	150	560
	3 x 2 - 9	280	240	170	560
	4 x 3 - 9	280	280	190	563
	6 x 4 - 9	280	315	200	568
AKP - M	2 x 1 - 10 1/2 A	280	250	150	560
	2 x 1 - 10 1/2 B	280	250	150	560
	3 x 1 1/2 - 10 1/2	280	250	150	560
	3 x 2 - 10 1/2	280	260	160	681
	4 x 3 - 10 1/2	355	280	200	680
AKP - L	6 x 4 - 10 1/2	355	315	200	686
	8 x 6 - 10 1/2	355	360	215	690
	3 x 1 1/2 - 12A&B	280	265	160	685
	3 x 2 - 12	280	265	160	685
	4 x 3 - 12	355	315	200	684
AKP - J	6 x 4 - 12	355	345	200	685
	8 x 6 - 12H	355	405	225	698
	3 x 2 - 13	280	315	160	685
	6 x 4 - 12	355	350	220	751
	8 x 6 - 12	355	438	225	756
AKP - L	4 x 3 - 14	355	355	210	751
	6 x 4 - 14	355	340	235	715
	6 x 4 - 14H	355	375	235	758
	8 x 6 - 14H	355	400	275	763
	10 x 8 - 14	400	450	300	769
AKP - L	6 x 4 - 16	355	400	235	750
	6 x 4 - 16H	355	400	250	756
	8 x 6 - 16H	355	450	300	761
	10 x 8 - 16	400	500	325	774
	8 x 6 - 18	400	500	300	793
AKP - J	10 x 8 - 18	400	525	325	798
	12 x 10 - 18	400	575	350	803
	10 x 8 - 20	400	540	325	795
AKP - L	12 x 10 - 20	400	625	350	800



chemflo®



chemflo®